



**PERFORMANCE POSTURE**

# PERFORMANCE POSTURE

Performance Posture features a multi-function heavy duty mechanism, where each movement can be adjusted easily with the ergonomically designed controls for maximum comfort and optimal posture. The contoured seat and back cushions support the body, keep the pelvis straight and encourage the spine to assume its natural 'S' Shape.

## Standard Features

- Multi-function mechanism with seat tilt, independent back angle adjustment and multi-position lock
- Seat slide
- Inflatable lumbar support
- Height adjustable ratchet back
- Black nylon base
- Height and width adjustable armrests

## Optional Features

- Chrome Base (CBK)
- Coccyx relief cut-out (CXC)
- Pressure relief memory foam (MF)



PP - PH1A / HEADREST DETAIL



PP - PH2 AAG / ADJUSTABLE ARMREST

# PERFORMANCE POSTURE



**Performance Posture features a multi-function heavy duty mechanism, where each movement can be adjusted easily with the ergonomically designed controls for maximum comfort and optimal posture. The contoured seat and back cushions support the body, keep the pelvis straight and encourage the spine to assume its natural 'S' Shape.**

The development of PSI Seating's range of posture chairs has been driven by orthopaedic data and current research.

Full adjustment in both the back and seat allow users to set the most appropriate angle of the hips to reduce pressure:

- Independent seat tilt, which includes a forward tilt motion, allows the user to tilt their pelvis to encourage the spine to adopt its natural 'S' shape
- Inflatable lumbar support encourages the spine to adopt the natural 'S' shape and can be adjusted to suit the individual user
- Back height adjustment enables correct vertical positioning of the lumbar support
- Seat slide allows for a depth adjustable seat which provides support for the thighs and prevents constriction of blood flow to the legs
- Optional memory foam supports movement through an even distribution of weight. Its ability to respond instantly to support changing pressure points allows it to alleviate pressure on the sitting bones (ischial tuberosities)
- Optional coccyx-cut-out reduces the contact between the base of the spine and seat pan, reducing pressure in this area

## Operating Instructions

### 1 – ADJUSTABLE HEADREST

The adjustable headrest can be lifted to the preferred height and can be angled to provide neck support

### 2 – INFLATABLE LUMBAR

To increase support squeeze the hand bulb.  
To deflate, turn the chrome handwheel anti-clockwise  
**NEVER OVERINFLATE**

### 3 – SEAT SLIDE

Pull and hold this lever to adjust the seat slide to your preferred position. Release to lock in position

### 4 – INDEPENDENT BACK ANGLE ADJUSTMENT WITH MULTI-POSITION LOCK

Lift this back lever to free the tilt angle of the back to your preferred position. To lock in position push the lever back down

### 5 – SEAT TILT

Lift the middle lever to free the tilt angle of the seat and back together.  
The chair can either be left to move with your body position or locked by pushing the lever back down

### 8 – HEIGHT ADJUSTABLE RATCHET BACKREST

To move the back up and down lift back to desired position. Once it passes the highest point it will reset to the lowest

### 7 – ADJUSTABLE ARMRESTS

Arm height can be adjusted by pressing button (1) and lifting up and down.  
Release button to lock in place.  
Arm width can be adjusted by turning handwheel (2) found underneath each arm



Lift the front lever to operate the gas lift.  
Lifting will increase the chair height.  
If sitting whilst the lever is lifted the chair height will lower

## PERFORMANCE POSTURE



### PH1A

High back armchair with headrest and inflatable lumbar support.

DIMENSIONS	
WIDTH	640mm
DEPTH	650mm
SEAT HEIGHT	490mm
OVERALL HEIGHT	1180mm
	1270mm



### PM2A

High back armchair with inflatable lumbar support.

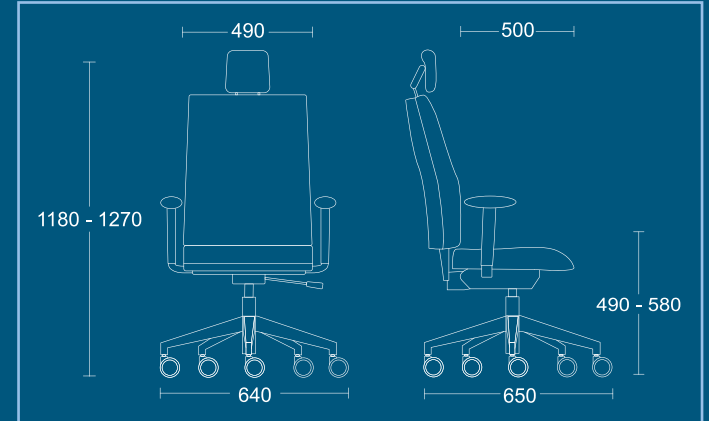
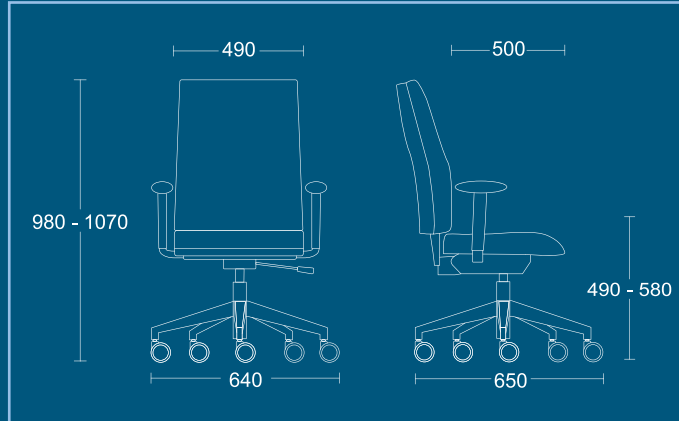
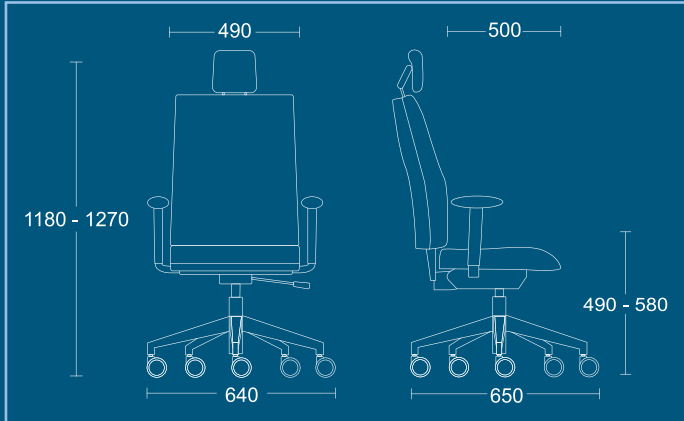
DIMENSIONS	
WIDTH	640mm
DEPTH	650mm
SEAT HEIGHT	490mm
OVERALL HEIGHT	980mm
	1070mm



### PH1 AAG

High back armchair with headrest, inflatable lumbar support and AAG arms.

DIMENSIONS	
WIDTH	640mm
DEPTH	650mm
SEAT HEIGHT	490mm
OVERALL HEIGHT	1180mm
	1270mm



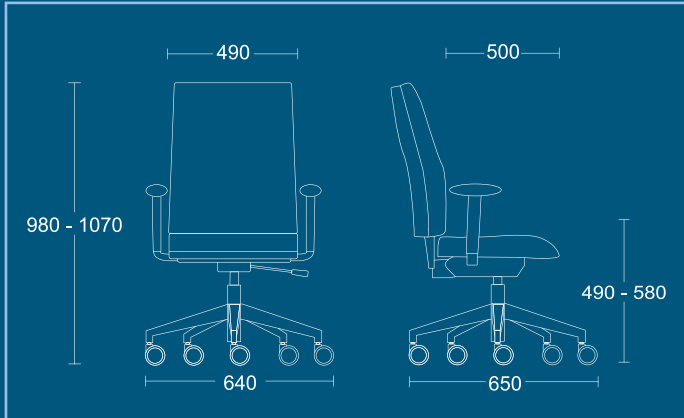
## PERFORMANCE POSTURE



### PM2 AAG

High back armchair with inflatable lumbar support and AAG arms.

DIMENSIONS	
WIDTH	640mm
DEPTH	650mm
SEAT HEIGHT	490mm
OVERALL HEIGHT	980mm
	1070mm



## PSI Seating Limited

Parkside Mill  
Walter Street  
Blackburn  
Lancashire  
BB1 1TL

Telephone: **01254 673400**

Fax: **01254 665571**

Email: [sales@psiseating.co.uk](mailto:sales@psiseating.co.uk)

[www.psiseating.co.uk](http://www.psiseating.co.uk)

[/psiseating](https://www.facebook.com/psiseating)
[@psiseating](https://twitter.com/psiseating)
[/+psiseating](https://www.google.com/+psiseating)
[/psiseating](https://www.instagram.com/psiseating)



Certificate Number 12877  
ISO 9001